

Microwave Motion Sensor (MS805)

Instruction Manual



The MS805 is a highly sensitive, high performance product that serves to control similar devices for the opening and closing of automatic doors by detecting the movement of humans or objects. For the safe and accurate use of the product, please read this instruction manual carefully.

1 Product Summary

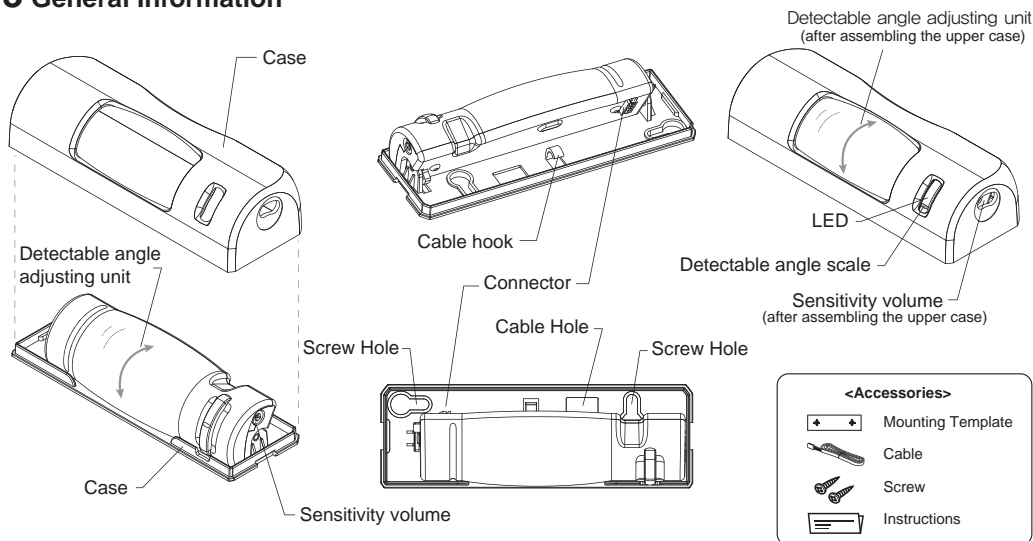


- MS805 detects the motions of a human body or an object by using the Microwave module at 24.125GHz
- DC 12V ~ 30V / AC 12V ~ 24V power supply
- Higher or lower detection levels can be set depending on sensitivity adjustments.
- As this product operates by motions of an object in the range of detection, install it with care.

2 Technical specifications

Power supply : AC/DC 12~30V	Current consumption : 100mA(DC12V, +25°C)
Microwave module : 24.125GHz	Contact capacity : 0.5A/125VAC, 1A/24VDC
Hold time : 1.2 Sec.	Max install height : 3.0m
Detecting feild : 4x3 (WxD) (Height 2.2m)	Operating Tem/Humi : -20°C~+50°C/0~90% (Non condensing)

3 General Information



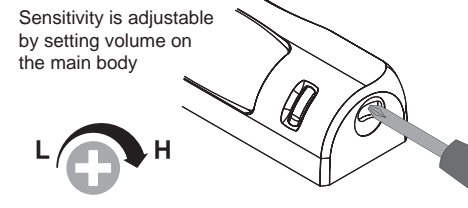
4 Installation Guide

- 1 Affix mounting template to transom and make holes.**
- 2 Connect power line to sensor main body.**
- 3 Fix the case to the wall.**
- 4 Assemble the upper case, and move up or down the detectable angle adjusting unit to adjust the detectable range.**

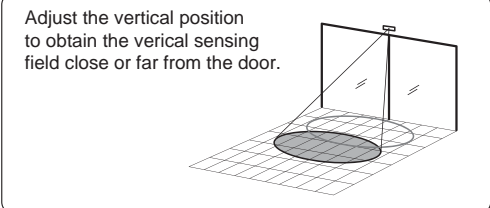
Caution

- ! Do not supply the power during engineering work of installation.
- Do not disassemble or modify the device, it may cause fire or electric shock

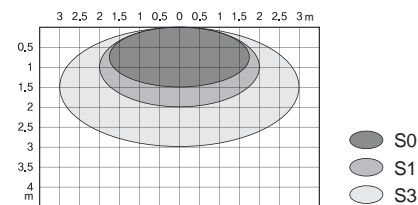
5 Sensitivity Adjustment



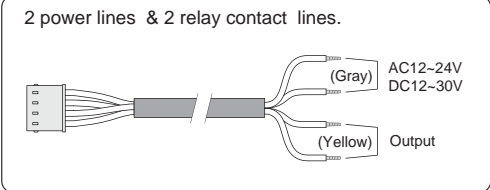
6 Sensing Feild



7 Detection Field (Mounting Height : 2.2m)



8 Wiring diagram



9 Mounting Information

- 1 Avoid moving objects close to the sensor.**
- 2 Avoid heavy rain and snow.**
- 3 Avoid vibration.**
- 4 Avoid fluorescent light sources.**